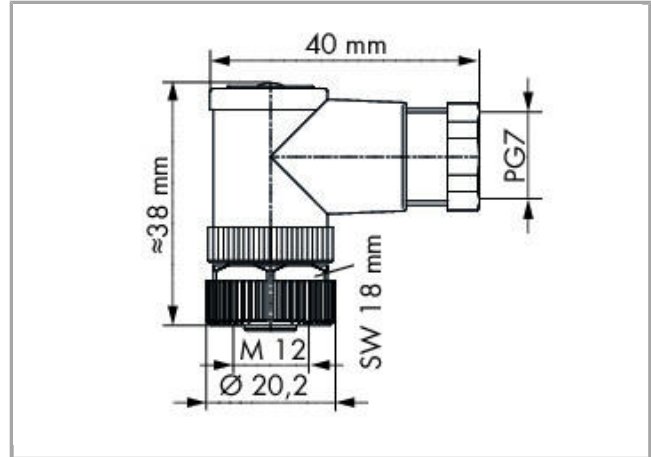


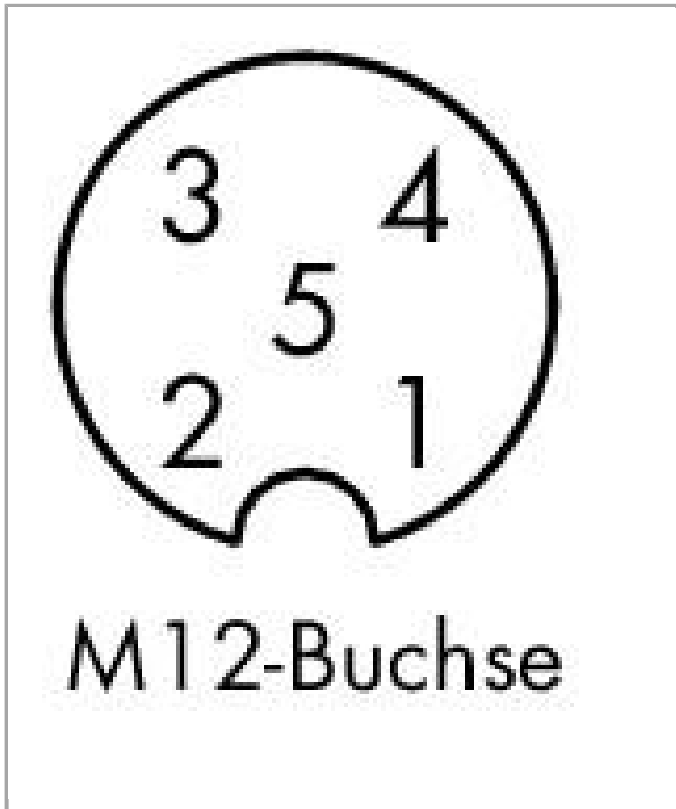
Data sheet | Item number: 756-9215/050-000

Connectors for sensor/actuator cable; M12 socket, angled; 5-pole



756-9215/050-000





Conductor size

 $\varnothing 6 \dots 8 \text{ mm} / 0.14 - 0.5 \text{ mm}^2$

Data

Technical Data

Connection type	M12 socket
No. of poles	5
Leitungsanschlussrichtung zur Steckrichtung	90°
Steckgesichtskodierung Leitung/Adapter 1 1	A coded

Connection data

Connection type (1)	Federtechnik
---------------------	--------------

Mechanical data

Connectable sheathed cable diameter	4 ... 6 mm
Weight	31 g

Environmental Requirements

Protection class	IP67
------------------	------

Commercial data

Country of origin	DE
GTIN	4045454686079



Customs Tariff No.

85366990990

Downloads

Documentation

System Description

IP67 Cables and Pluggable Connectors

pdf
293.9 kB

[Download](#)

Subject to changes.
